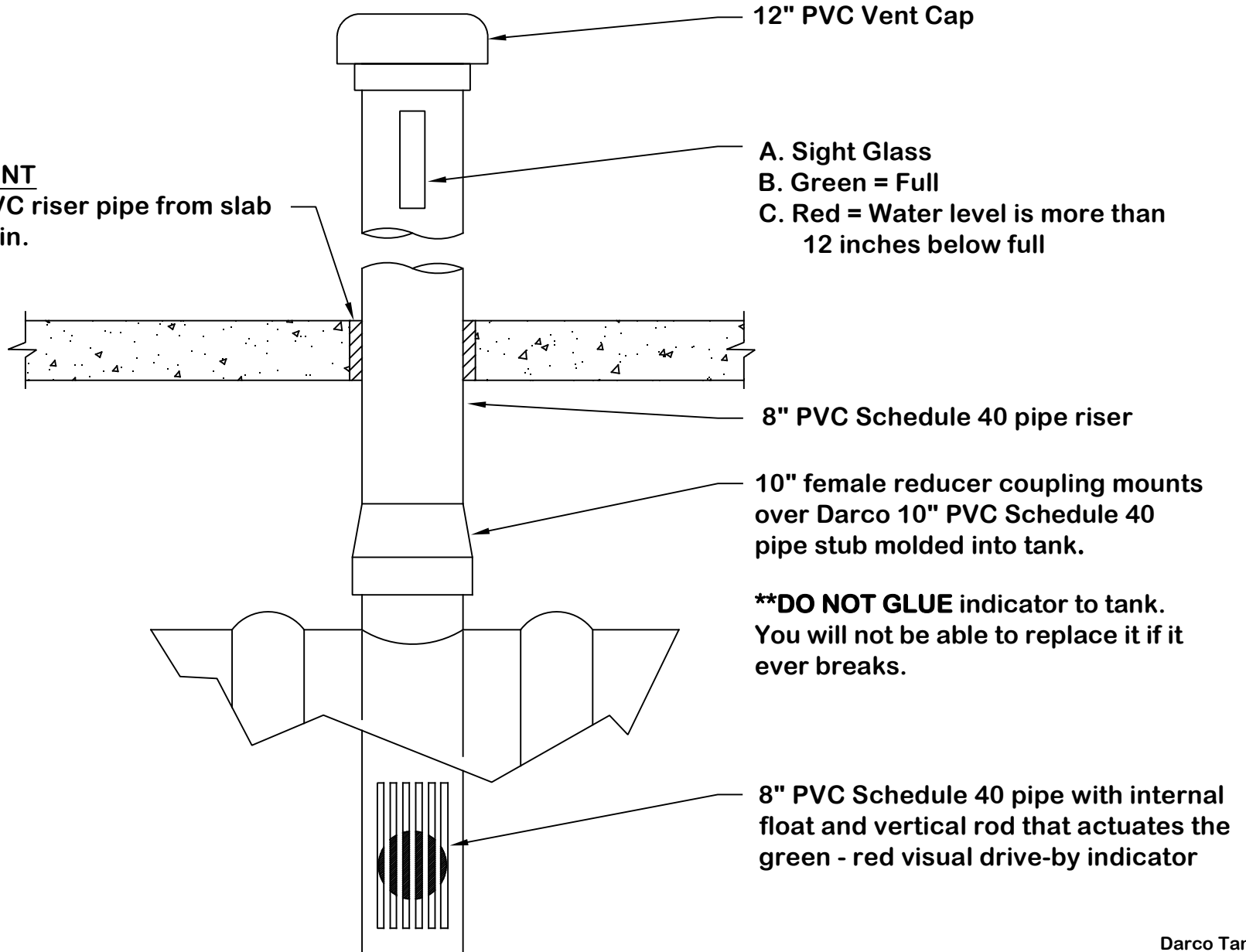


8 Inch PVC Vent Assembly with Sight Glass and Green - Red Level Indicator

IMPORTANT

Isolate PVC riser pipe from slab if poured in.



12" PVC Vent Cap

A. Sight Glass

B. Green = Full

C. Red = Water level is more than 12 inches below full

8" PVC Schedule 40 pipe riser

10" female reducer coupling mounts over Darco 10" PVC Schedule 40 pipe stub molded into tank.

****DO NOT GLUE indicator to tank. You will not be able to replace it if it ever breaks.**

8" PVC Schedule 40 pipe with internal float and vertical rod that actuates the green - red visual drive-by indicator